



TGM 26.290-320 6×4 BB CH



CABS

	CC: NARROW, SHORT, NORMAL HEIGHT
EXTERNAL LENGTH	1,620mm
EXTERNAL WIDTH	2,240mm
INTERIOR LENGTH	1,550mm
INTERIOR WIDTH	2,070mm
ENGINE TUNNEL HEIGHT	260/140mm
STANDING HEIGHT ON THE ENGINE TUNNEL	1,280mm
SEATS QUANTITY	2 (option for 3)
STANDING HEIGHT IN FRONT OF THE CO-DRIVER'S SEAT	1,585mm
BUNK QUANTITY	-
BUNK WIDTH	-
BUNK LENGTH	-



CAB EXTERIOR

	CC
CAB PAINT RAL 9016	✓
BUMPER PAINT - TEXTURED COATING	✓
CABIN TILT MECHANISM - MANUAL	✓
ROOF SPOILER	✓
TILTING ROOF MECHANICAL	✓
SUNVISOR	✓
CENTRAL LOCKING WITH REMOTE CONTROL	✓
WIPER ACTIVATION, MANUAL	✓
FRONT HEADLIGHTS, H7	✓
DAYTIME DRIVING LIGHTS, LED	✓
DRIVING LIGHT CONTROL, MANUAL	✓
COMPRESSED AIR HORNS	-
EXTERIOR REAR VIEW MIRROR, ELECTRIC, MAIN AND SPOTTER	✓
KERB MIRROR LEFT, ELECTRIC	✓
FRONT MIRROR, MECHANICAL	✓

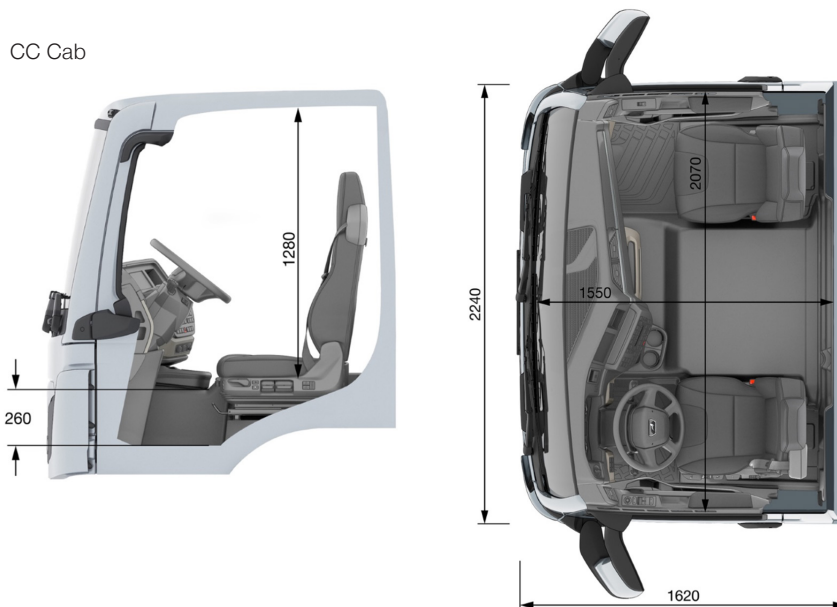
TGM 26.290-320 6×4 BB CH



CAB INTERIOR

	CC
MULTI-FUNCTION STEERING WHEEL, ADJUSTABLE HEIGHT AND ANGLE	✓
STEERING WHEEL, WITH PARKING POSITION	✓
STEERING LOCK, WITH ELECTRONIC IMMOBILISER	✓
COMFORT DRIVER'S SEAT, AIR-SPRUNG, WITH LUMBAR SUPPORT AND SHOULDER ADJUSTMENT	✓
DRIVER'S SEAT HEATING	✓
DRIVER'S SEAT ARM RESTS	✓
CO-DRIVER'S SEAT, NOT SPRUNG, LENGTH, HEIGHT AND BACKREST ADJUSTMENT	✓
CO-DRIVER'S SEAT ARM RESTS	✓
AIR-CONDITIONING SYSTEM, MANUAL	✓
MMT INFOTAINMENT SYSTEM, ADVANCED MID	✓
MAN SOUND SYSTEM	✓
SMARTPHONE INTEGRATION	✓
AUSTRALIA NAVIGATION MAP	✓
PREPARATION FOR REAR-VIEW CAMERA, 2 UNITS, ONE CAMERA LINKED TO REVERSE GEAR	✓
EXTENSION FOR PREPARATION FOR REAR-VIEW CAMERA, CONNECTION BEHIND CAB	✓

CC Cab



TGM 26.290-320 6×4 BB CH



ENGINE

	290hp / 213kW – MAN D0836 LFL87	320hp / 235kW – MAN D0836 LFL88
NOMINAL OUTPUT	213kW (290hp) at 2,200rpm	235kW (320hp) at 2,200rpm
MAX TORQUE	1,150Nm at 1,200–1,700rpm	1,250Nm at 1,200–1,700rpm
CYLINDERS & ENGINE TYPE	Six-cylinder in-line engine	Six-cylinder in-line engine
CAPACITY	6.9L	6.9L
EMISSION NORM	Euro 5	Euro 5
EMISSION CONTROL SYSTEM	SCR technology – without EGR	SCR technology – without EGR
ENGINE TURBO CHARGING	Single-stage turbo charger with direct air-air charge-air cooling	Single-stage turbo charger with direct air-air charge-air cooling
FUEL INJECTION	Electronically controlled common rail injection system	Electronically controlled common rail injection system



INTAKE/EXHAUST SYSTEM

	CC
AIR INTAKE LHS CABIN NO REAR PROTRUSION	-
AIR INTAKE REAR OF CABIN RHS WITH REAR PROTURUSION	✓
EXHAUST SILENCER RIGHT SIDE	✓
EXHAUST SILENCER COVER	✓



FRAME

	CC
FRAME PROFILE 270mm × 70mm × 7mm	✓
FRONT UNDERRIDE PROTECTION	✓
FINAL CROSS MEMBER WITH HOLE PATTERN 160X100MM	✓

TGM 26.290-320 6×4 BB CH



BRAKE SYSTEM

	CC
ANTI-LOCK BRAKING SYSTEM (ABS), OFFROAD, WITH ADDITIONAL OFF-ROAD LOGIC	✓
ELECTRONIC STABILITY PROGRAM	✓
ANTI-SLIP CONTROL	✓
MAN EASY START	✓
MAN HIGH PERFORMANCE ENGINE BRAKE	✓
ELECTRONIC BRAKING SYSTEM	✓
1 CYLINDER AIR COMPRESSOR 238 CCM	✓
PARK BRAKE CONTROL, IN INSTRUMENT PANEL	✓



DRIVETRAIN & CHASSIS EQUIPMENT

	CC
MAN TIPMATIC 1212 OD AMT GEARBOX	✓
MAN EFFICIENTROLL GEARBOX FUNCTION	✓
MAN TIPMATIC EFFICIENCY DRIVING PROGRAM	✓
MAN IDLE SPEED DRIVING GEARBOX FUNCTION	✓
SINGLE-DISC CLUTCH, 395mm, DRY	✓
7.5t DROPPED FRONT AXLE	✓
7.5t 1-LEAF PARABOLIC FRONT SUSPENSION	✓
TANDEM 13t HYPOID REAR AXLES	✓
21t 3-LEAF-SPRING PARABOLIC REAR SUSPENSION	✓
4.11 REAR AXLE RATIO	✓
PI FR:01 295/80R R22.5" FRONT TYRES	✓
PI FR:01 295/80R R22.5" REAR TYRES	✓
1 × 300L STEEL FUEL TANK MOUNTED RHS CHASSIS	✓
1 × 35L ADBLU TANK MOUNTED RHS CHASSIS	✓

TGM 26.290-320 6×4 BB CH



ELECTRICAL SYSTEM

	CC
BATTERY, 12V, 88AH, 2 UNITS, MAINTENANCE FREE	✓
ALTERNATOR, BASIC	✓
MAIN BATTERY SWITCH, MECHANICAL	✓
LOCKABLE BATTERY BOX, WITHOUT PADLOCK	✓
SAFETY CUT-OUT	✓



SAFETY FEATURES

	CC
LANE GUARD SYSTEM (LGS)	✓
ADVANCED EMERGENCY BRAKE ASSIST (EBA)	✓
ROAD SPEED LIMITER, ADJUSTABLE, LIMITER (ENGINE SPEED REGULATION)	✓
EMERGENCY BRAKING SIGNAL (ESS)	✓
ADAPTIVE CRUISE CONTROL (ACC)	✓



GVM & GCM

	CC
GROSS VEHICLE MASS (GVM)	26,000kg
GROSS COMBINATION MASS (GCM)	28,000kg



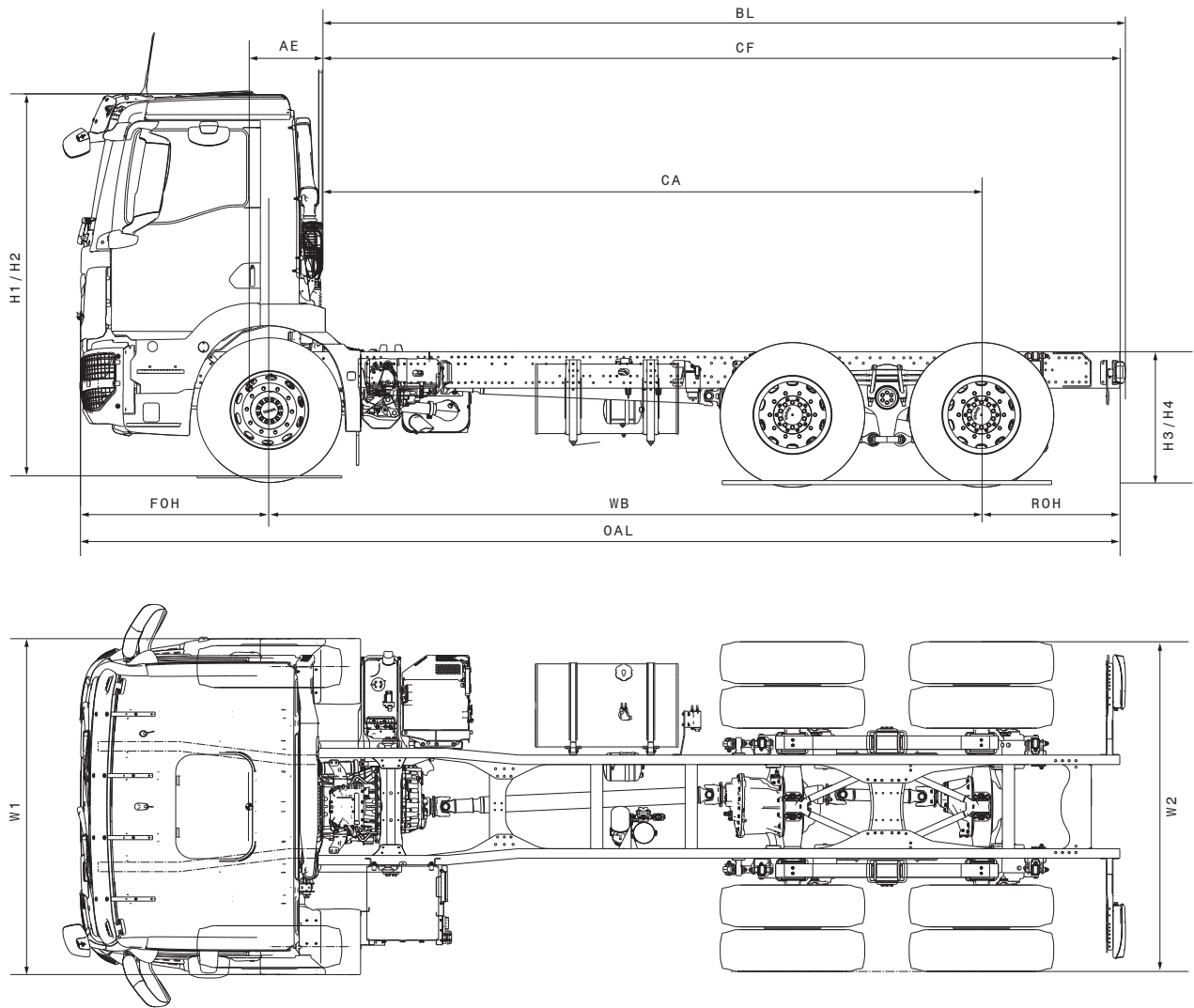
FACTORY WARRANTY

	CC
1 YEAR ENTIRE VEHICLE COVERAGE	✓
2 YEAR / UNLIMITED DRIVELINE COVERAGE	✓

TGM 26.290-320 6×4 BB CH



CHASSIS DIMENSIONS AND WEIGHTS



TGM 26.290-320 6×4 BB CH



CHASSIS DIMENSIONS AND WEIGHTS

WHEELBASE	CC CAB: WEIGHTS			TURNING	
	Front kg	Rear kg	Total	Kerb to Kerb	Wall to Wall
3,875mm	3,750	1,816	5,566	19.4	20.9
4,125mm	3,770	2,084	5,854	20.6	22.1

WHEELBASE	CC CABIN: CHASSIS DIMENSIONS						MAX (mm)	EMPTY (mm)	LOADED (mm)	EMPTY (mm)	LOADED (mm)		
	FOH	ROH	OAL	CA	CF	AE	BL	H1	H2	H3	H4	W1	W2
3,875mm	1,482	3,075	8,432	3,384	6,459	491	5,709	3,483	3,400	998	948	2,240	2,240
4,125mm	1,482	3,275	8,882	3,634	6,909	491	6,109	3,483	3,400	998	948	2,240	2,240

Note: Chassis weight includes oil, water, AdBlue, 90% fuel and 90kg driver. Weight can vary \pm 3%.

